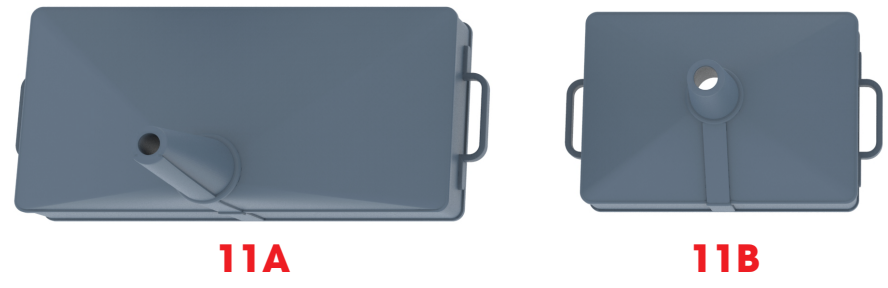
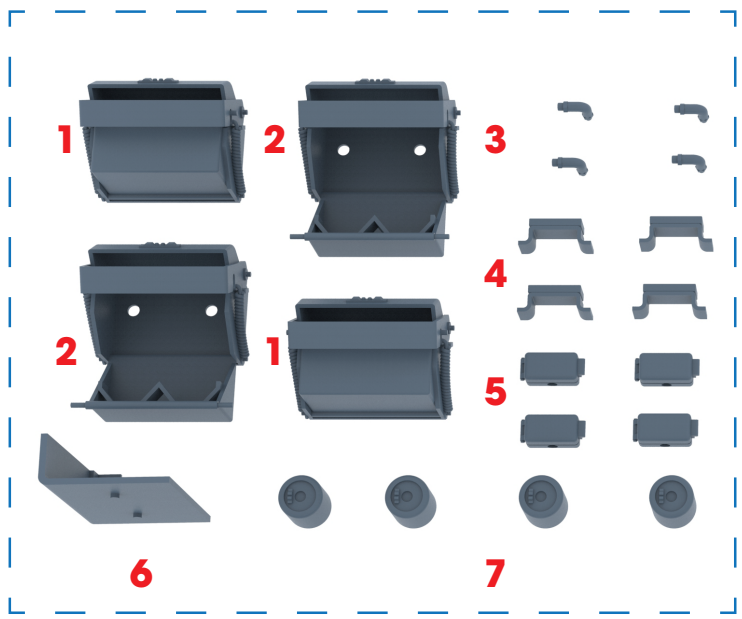


HDM35224 PARTS LIST

PROTECTION BOX 1



- 1 Late Type of Smoke Dischargers Close
- 2 Late Type of Smoke Dischargers Open
- 3 Late Type of Smoke Dischargers connector
- 4 Late Type of Smoke Dischargers Base Actuator
- 5 Late Type of Smoke Dischargers Actuator
- 6 Late Type of Smoke Dischargers Plate
- 7 Smoke Grenade

PROTECTION BOX 2



- 8 Two Spare Tracks Holders
- 9A M1919A4 Cal. 0.30 Body
- 9B M1919A4 Cal. 0.30 Barrel Late Type
- 9C M1919A4 Cal. 0.30 Slide
- 9D M1919A4 Cal. 0.30 Pintle
- 9E M1919A4 Cal. 0.30 Fixing Knob Pintle
- 9F M1919A4 Cal. 0.30 Handle Pintle
- 9G Pintle Ammo Box Hook
- 9H M1 Ammo Box Open with Hook
- 9L M1 Ammo Box Cover
- 9M M1 Ammo Box Close

- 9N Cal. 0.30 Tape Bullets
- 9P Cal. 0.30 Tape Bullets Ends
- 10A Fire Extinguisher
- 10B Fire Extinguisher Base
- 10C Fire Extinguisher Fixing Ring
- 11A Big Fuel Funnel
- 11B Little Fuel Funnel