

## Military Loader HDM35111

HD Models  
Via Filippo Nicolai 24  
00136 Roma—Italy

+39 06 39736835  
info@hdmodels.it  
www.hdmodels.it

1/35



Resin scale model. This is not a toy. Kit is not recommended for children under 14 years of age.

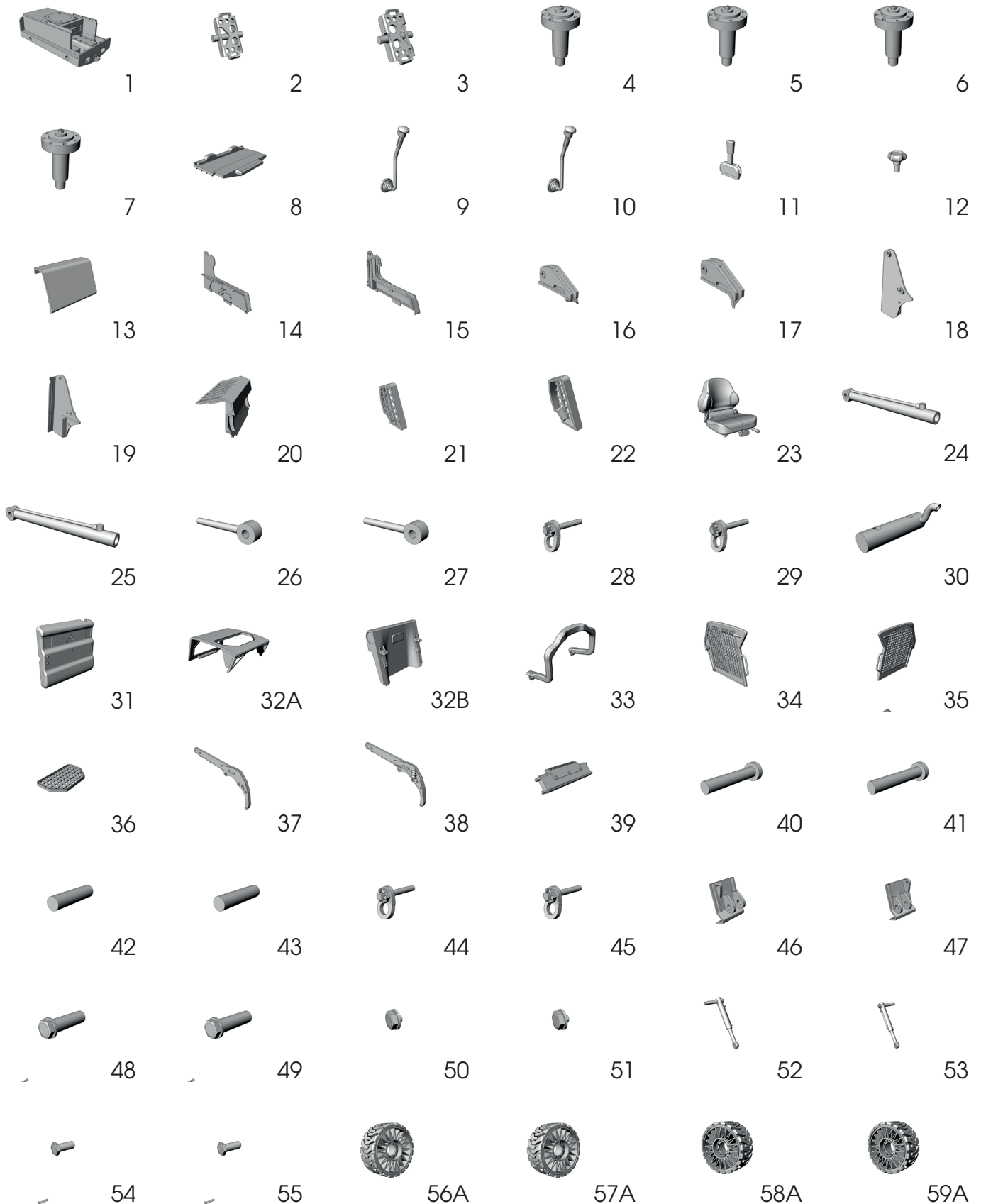
The kit contains resin parts and can only be used by experienced modelers. The kit needs assembly and painting and comes in separate pieces.

Applying tools and glue suitable for mounting resin parts.

Epoxy or cyanoacrylate is recommended. Working in ventilated spaces.

Beware the kit contains very small pieces that could be swallowed by children.

# Part list (tot. 69 pcs)





61



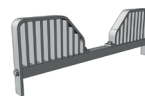
62



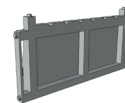
63



64



65



66



67

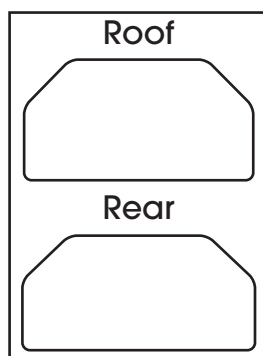
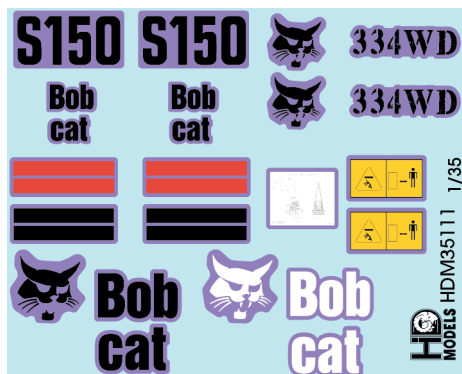


68

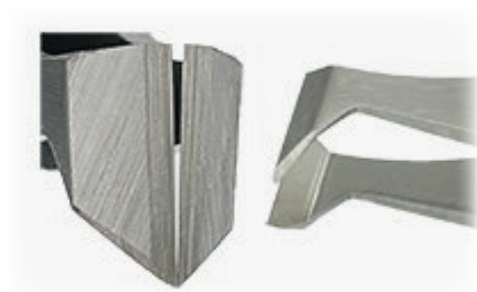


69

## Decals



For optimum mounting and accurate cutting of supports we recommend prod. HDMU001, our steel cut tweezer



# Step by step

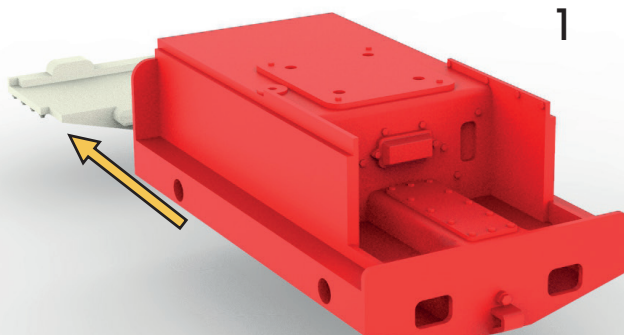
## Step 1

8

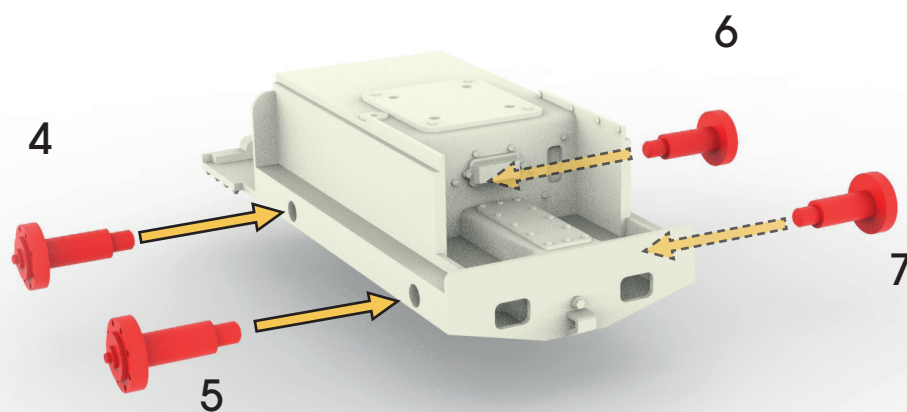


## Step 2

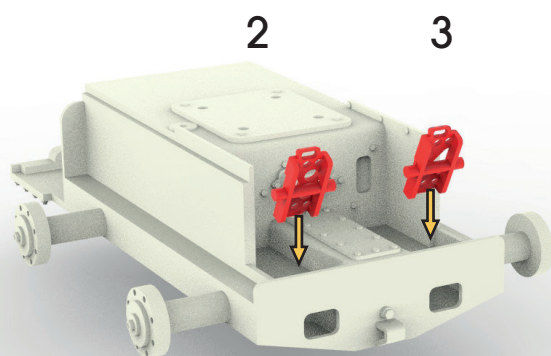
1



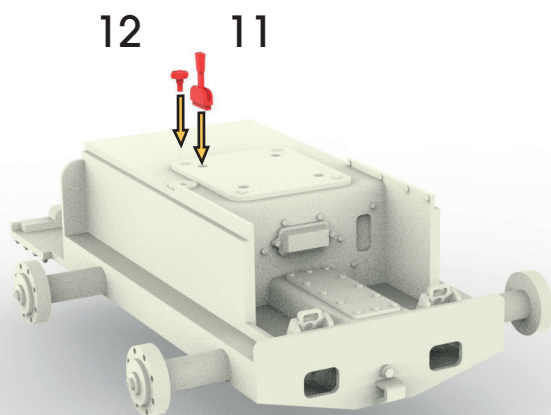
## Step 3



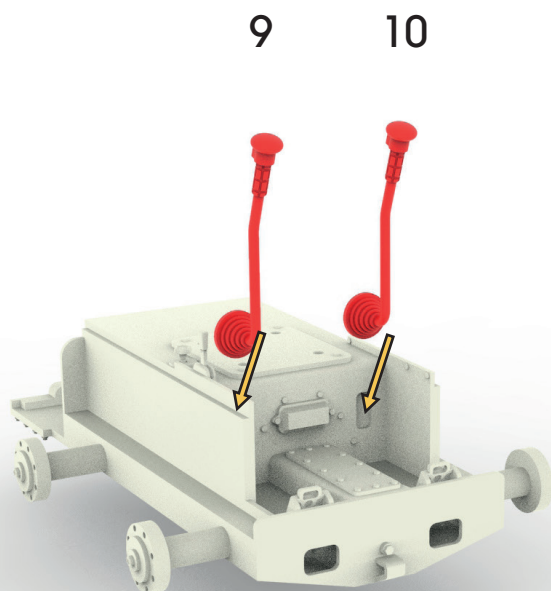
## Step 4



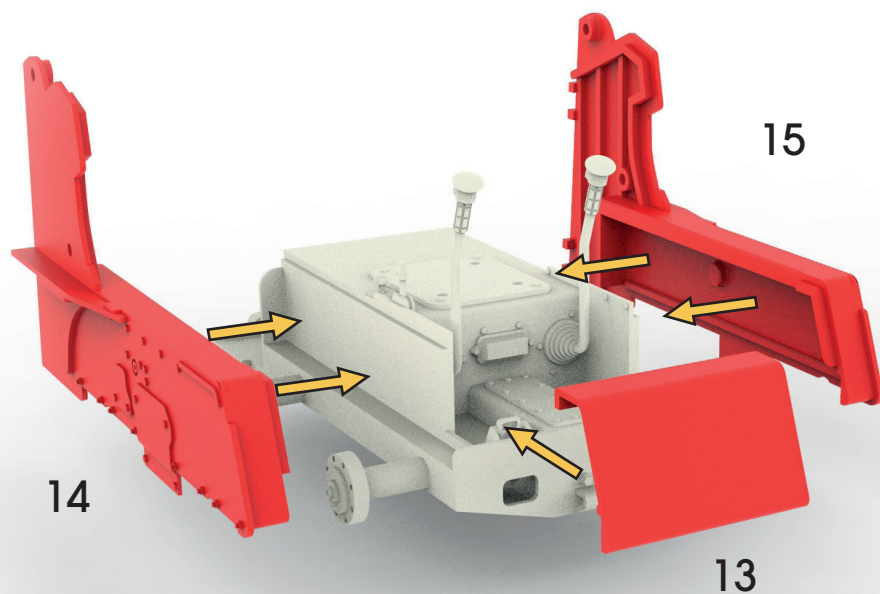
## Step 5



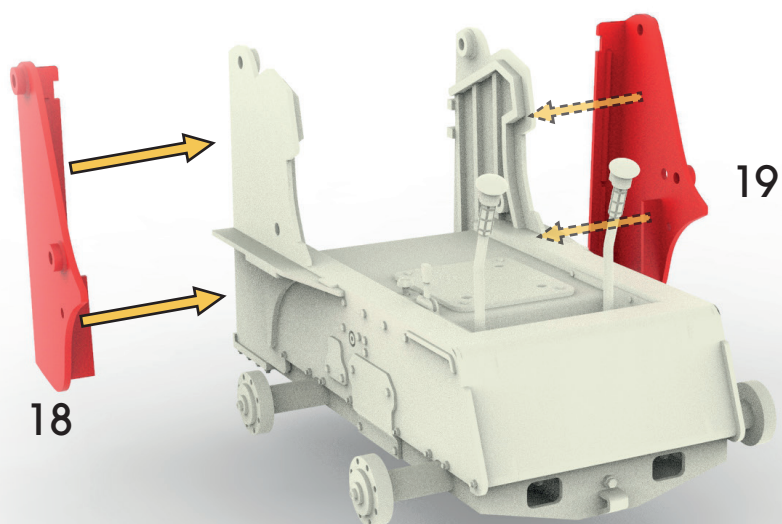
## Step 6



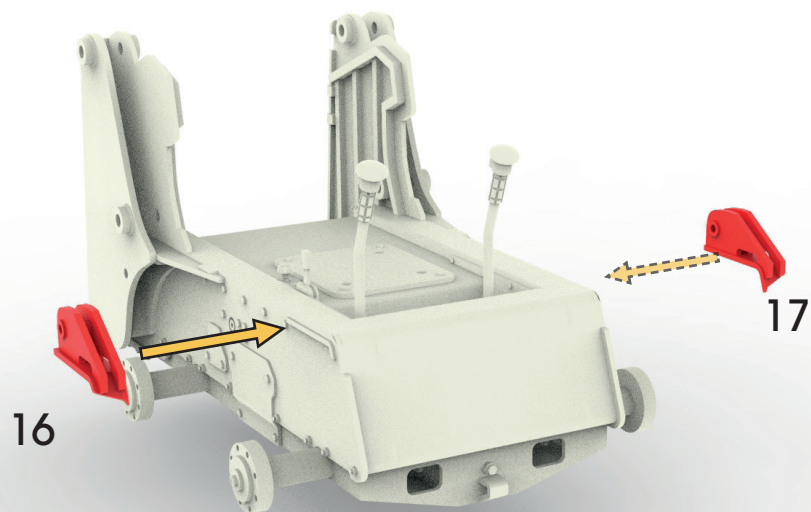
## Step 7



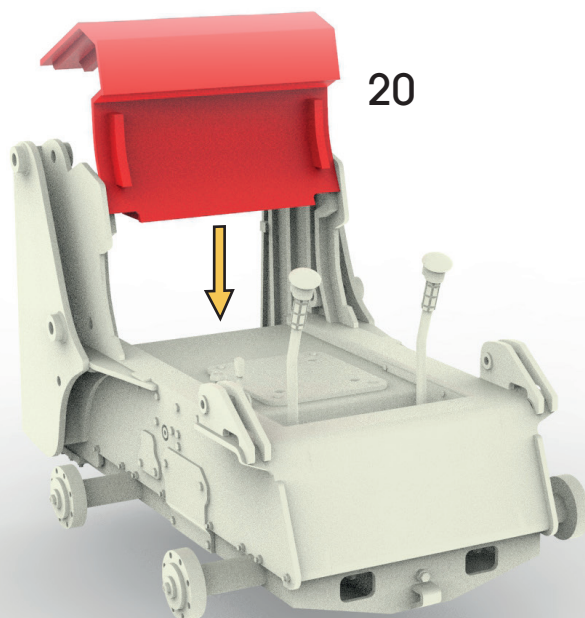
## Step 8



## Step 9

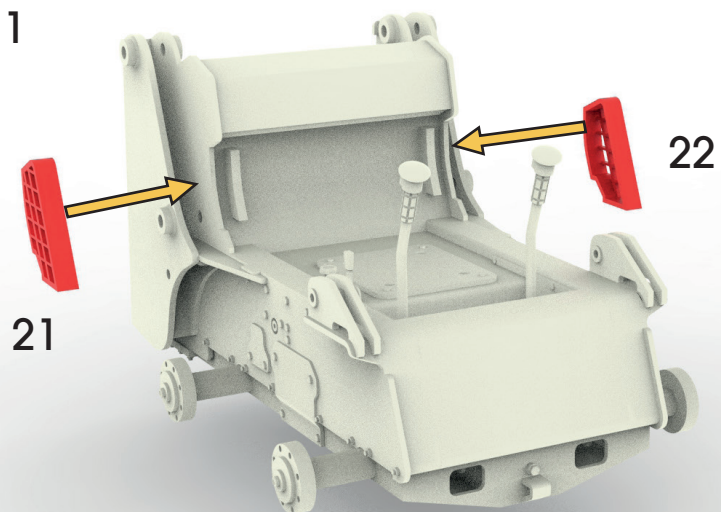


## Step 10

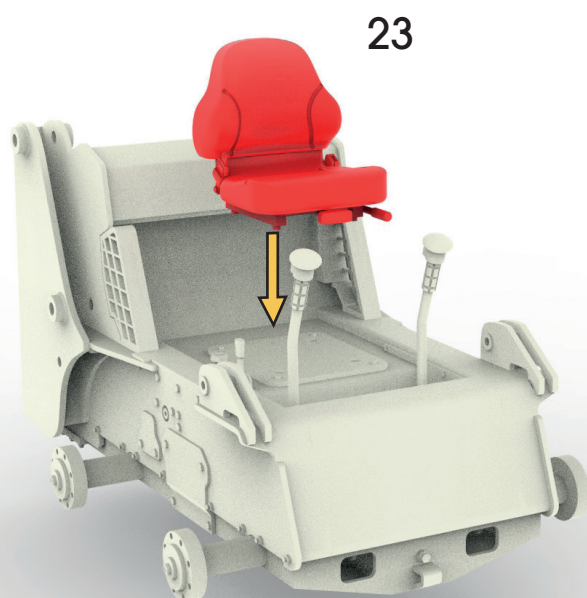




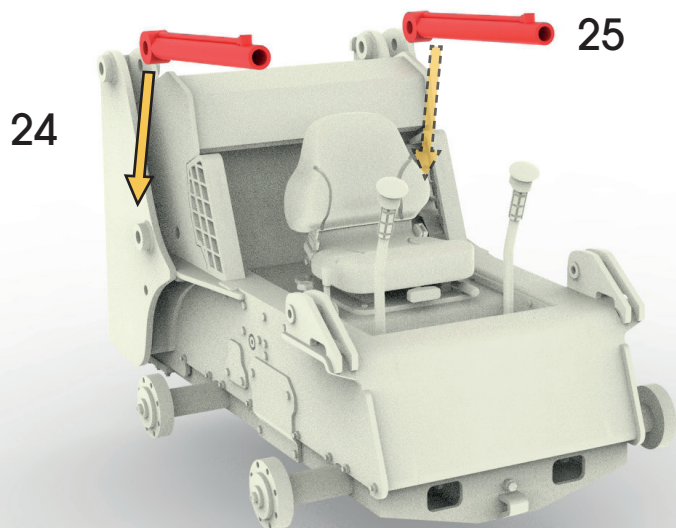
## Step 11



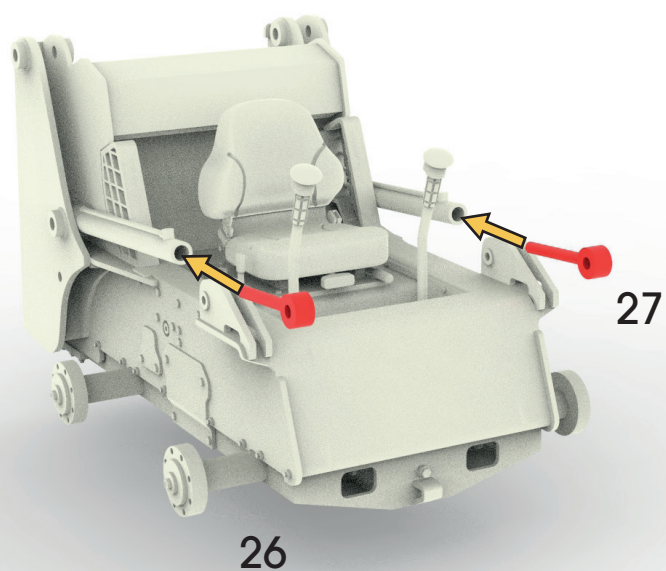
## Step 12



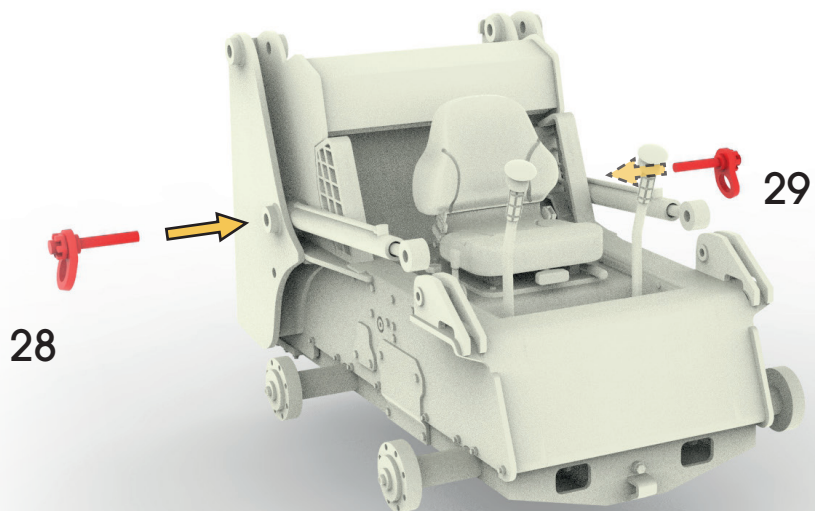
### Step 13



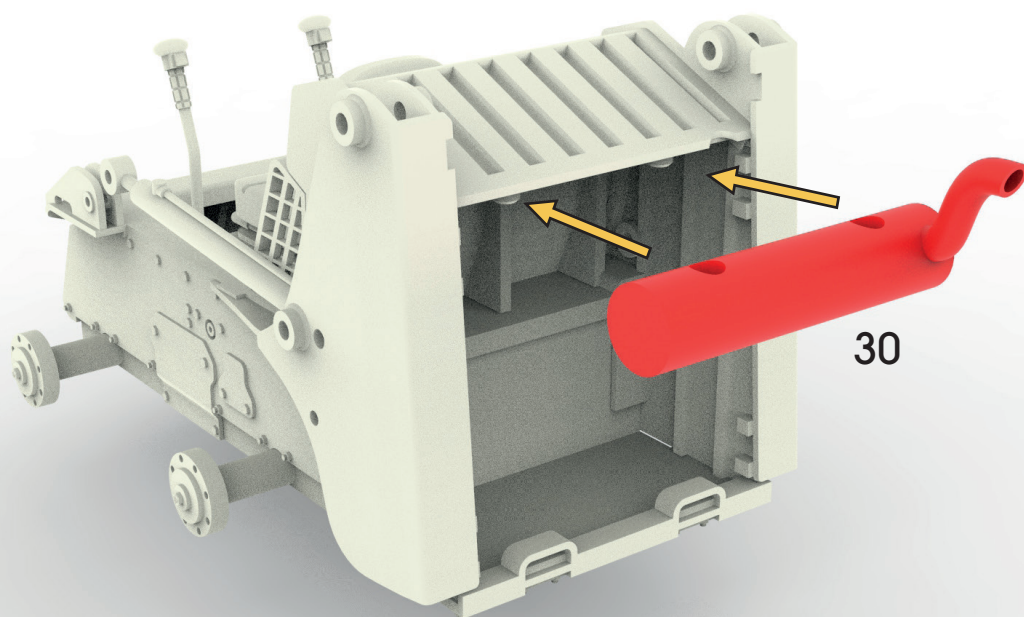
### Step 14



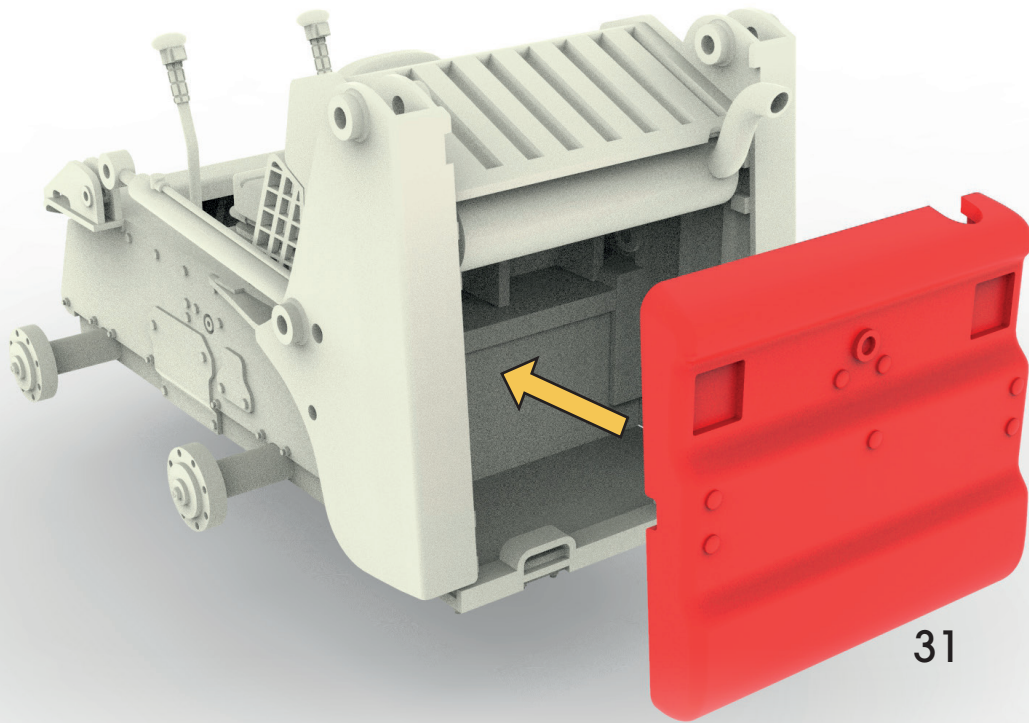
## Step 15



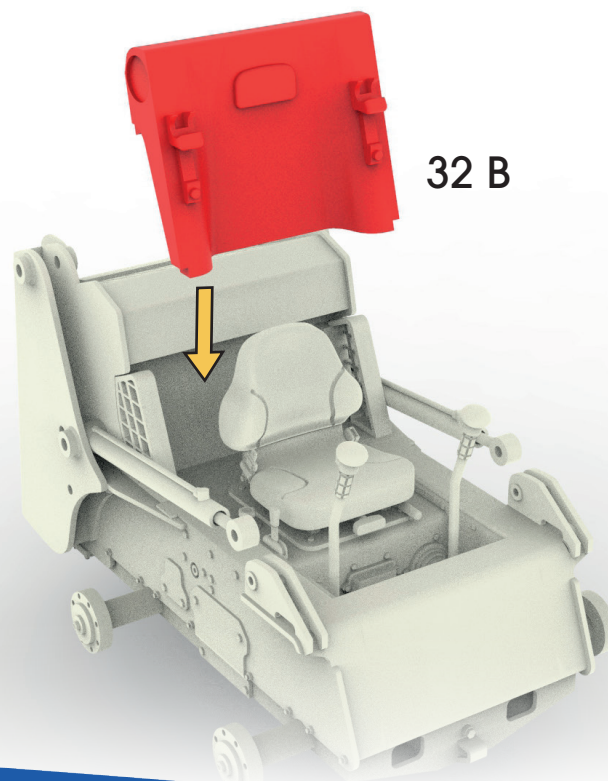
## Step 16



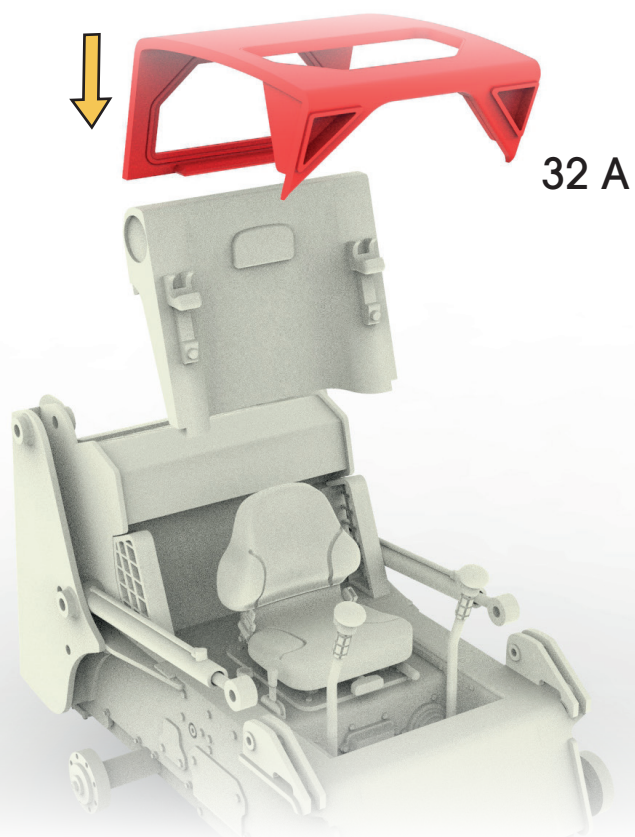
## Step 17



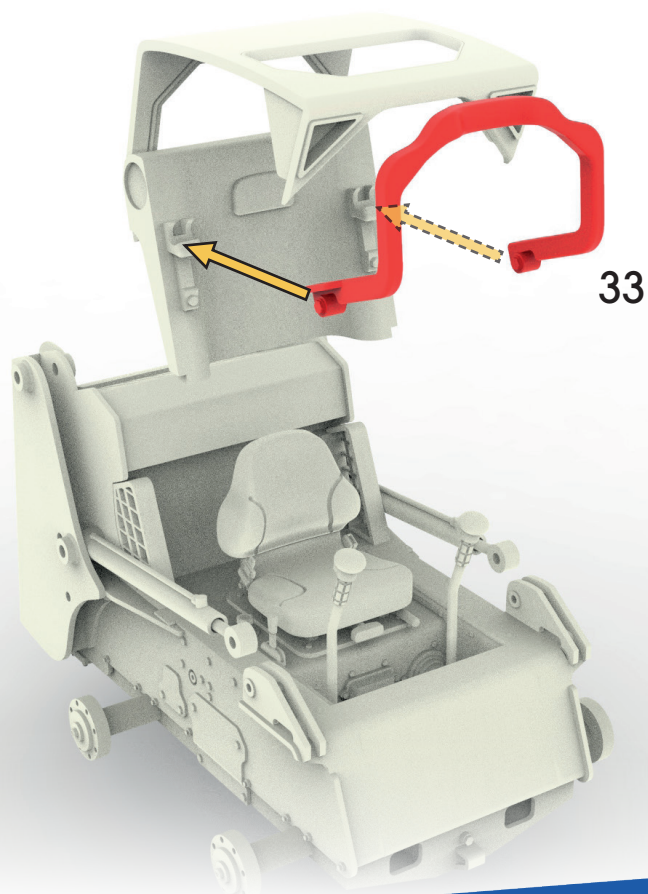
## Step 18



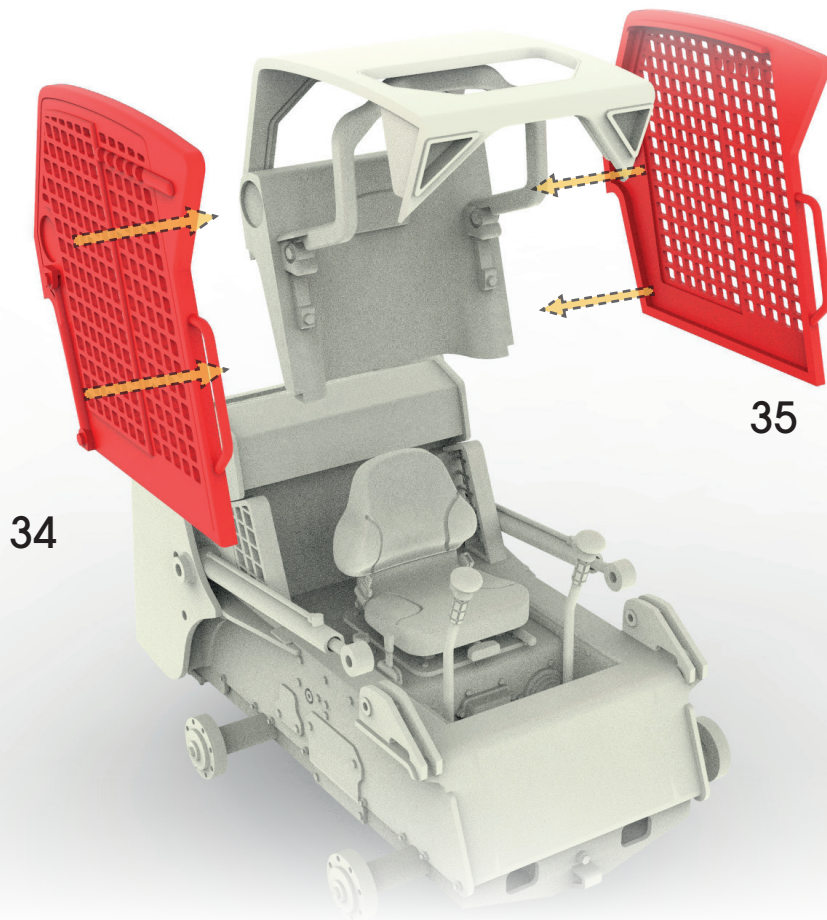
Step 19



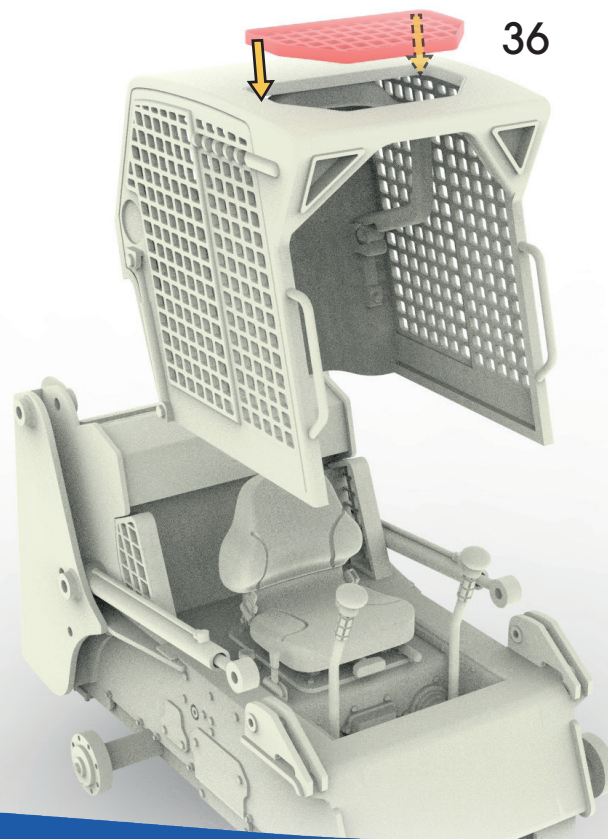
Step 20



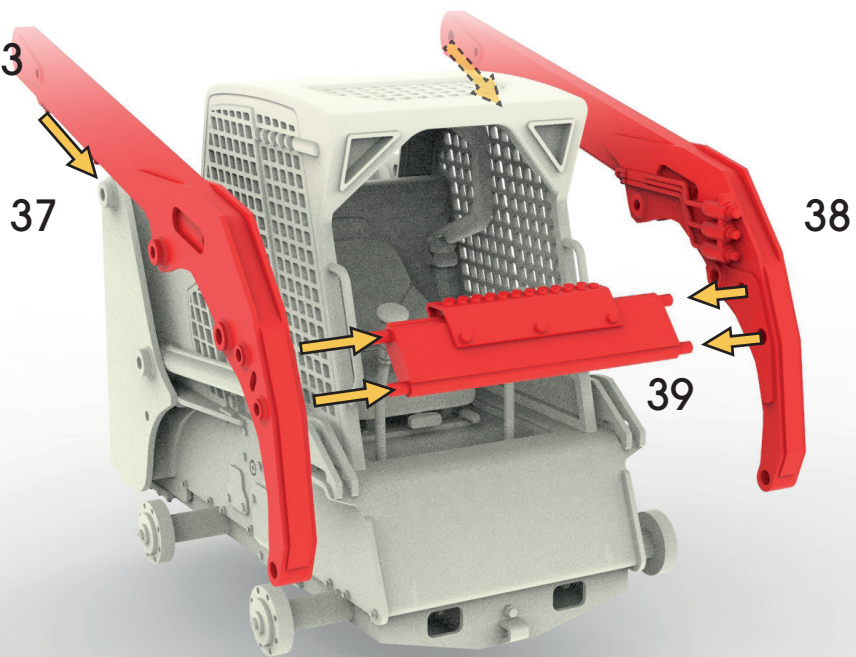
## Step 21



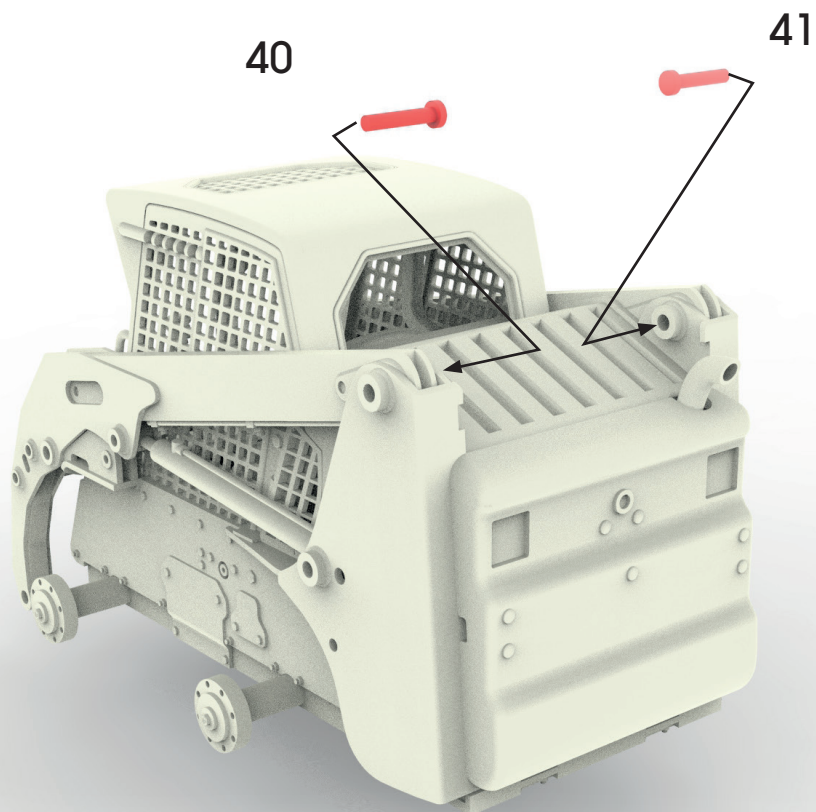
## Step 22



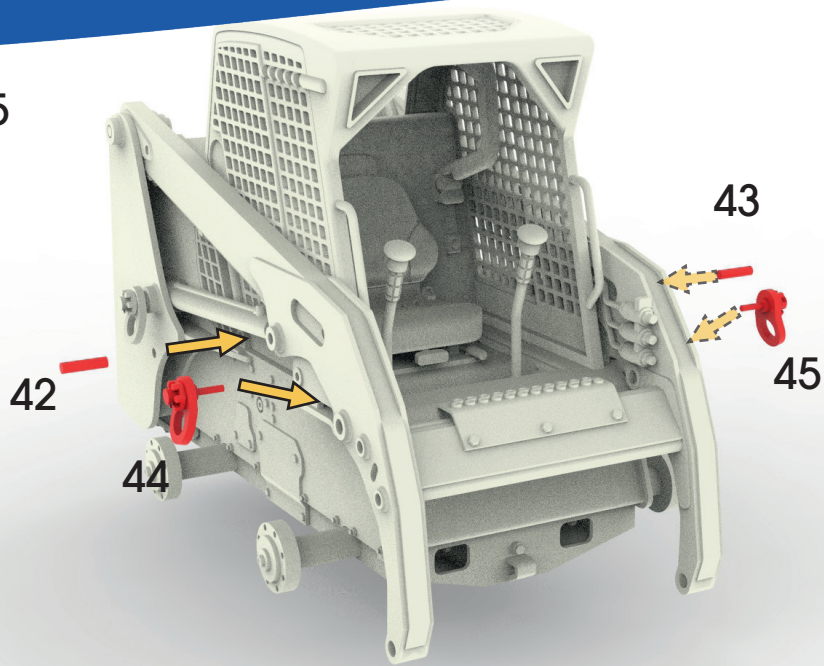
Step 23



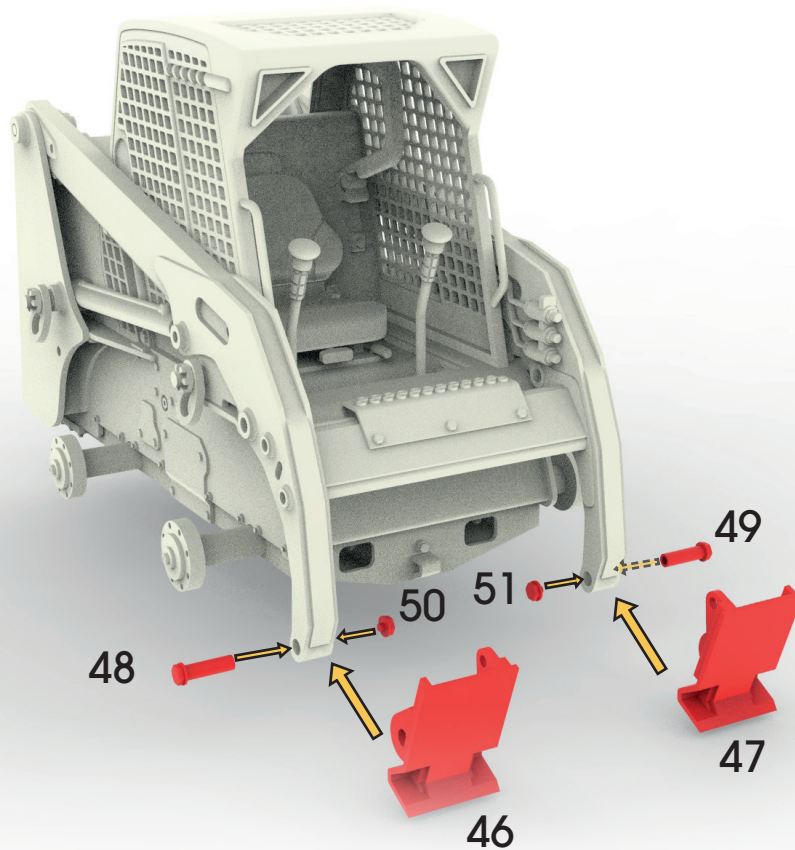
Step 24



## Step 25

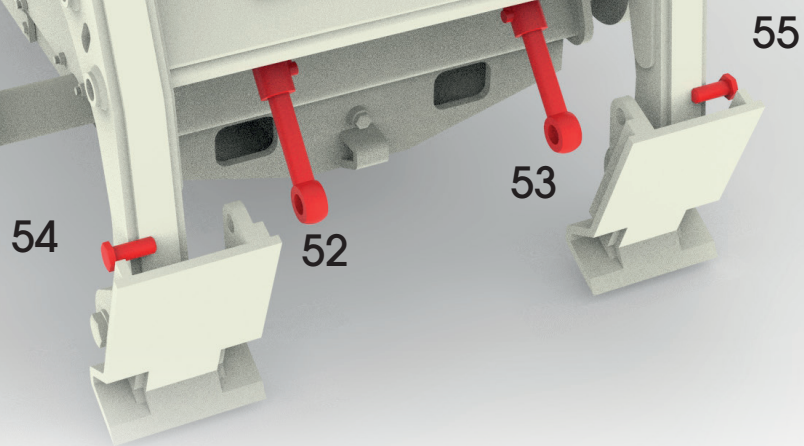


## Step 26

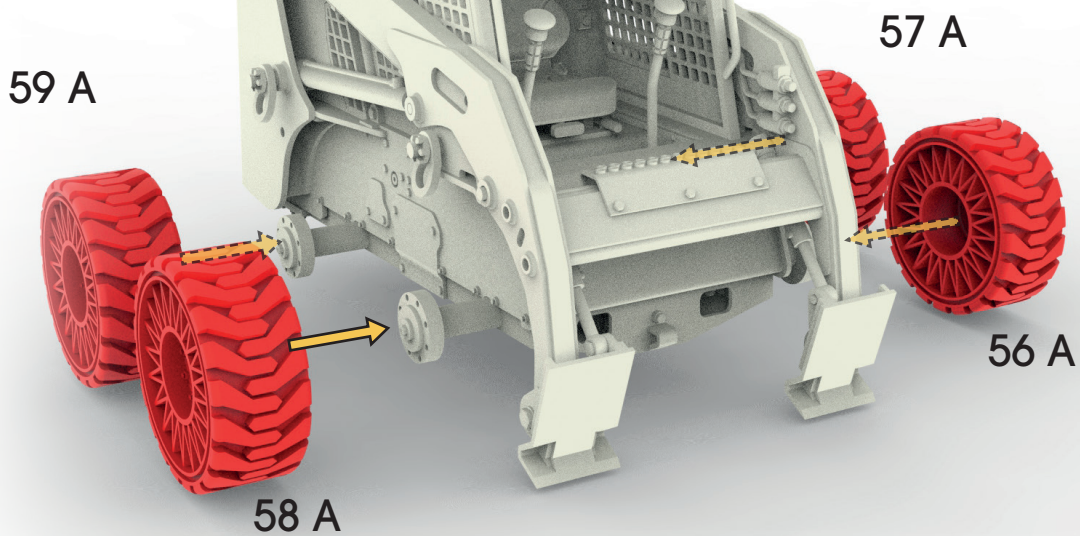




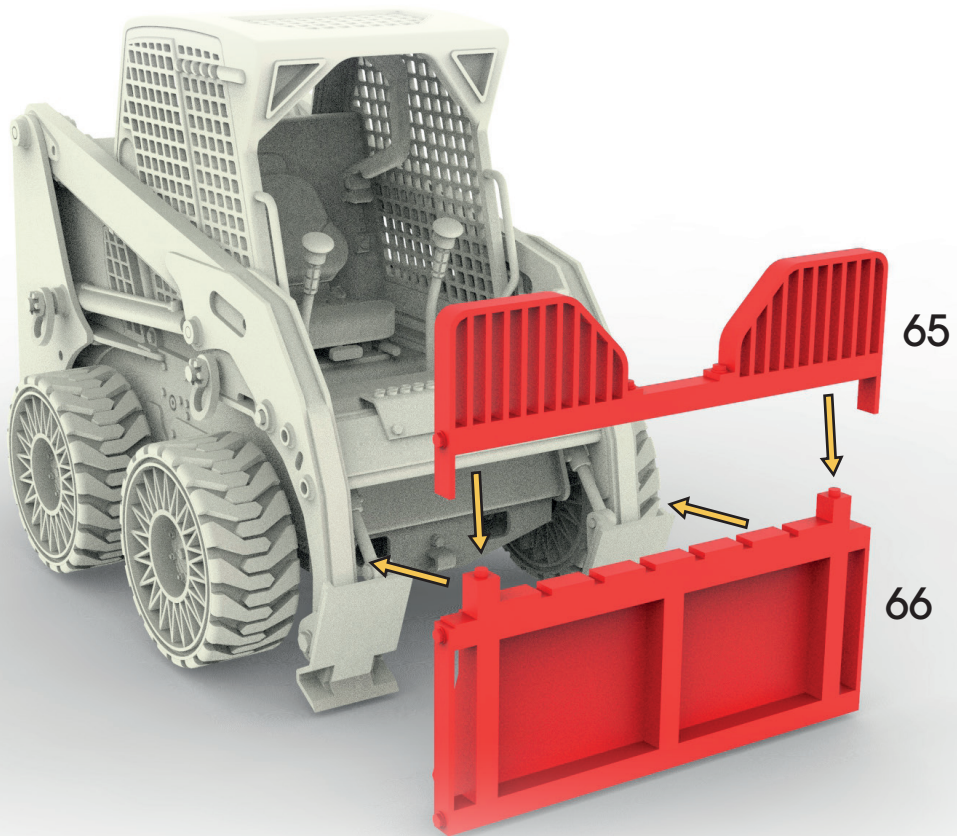
Step 27



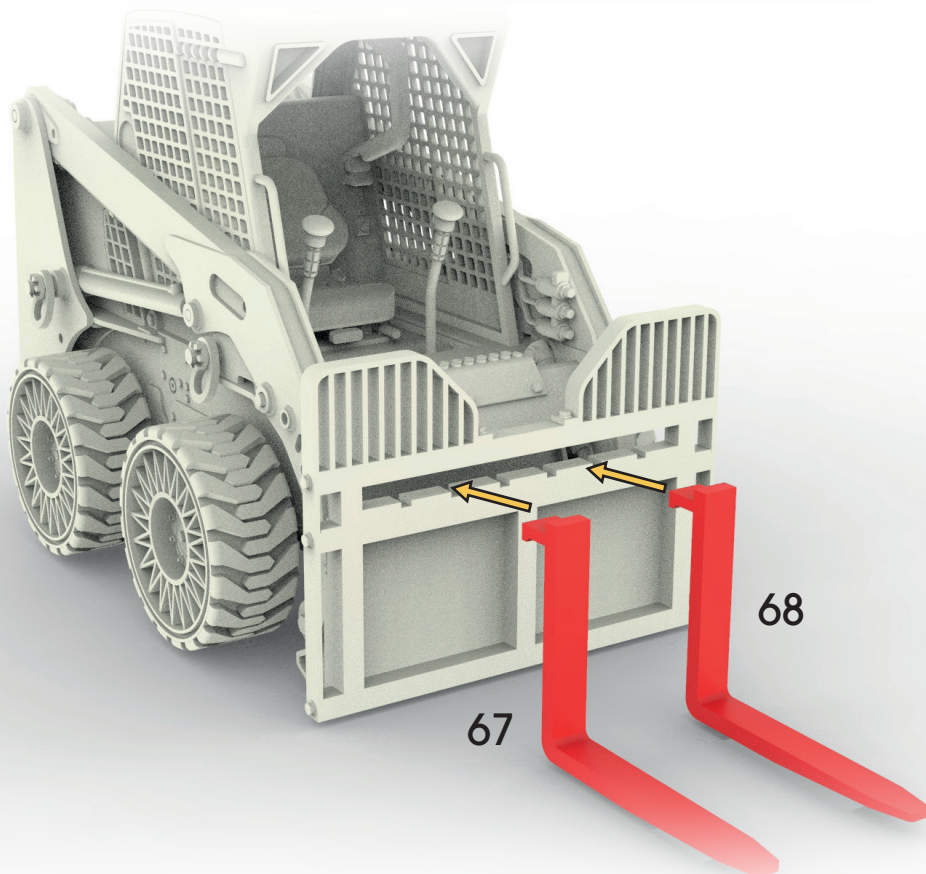
Step 28



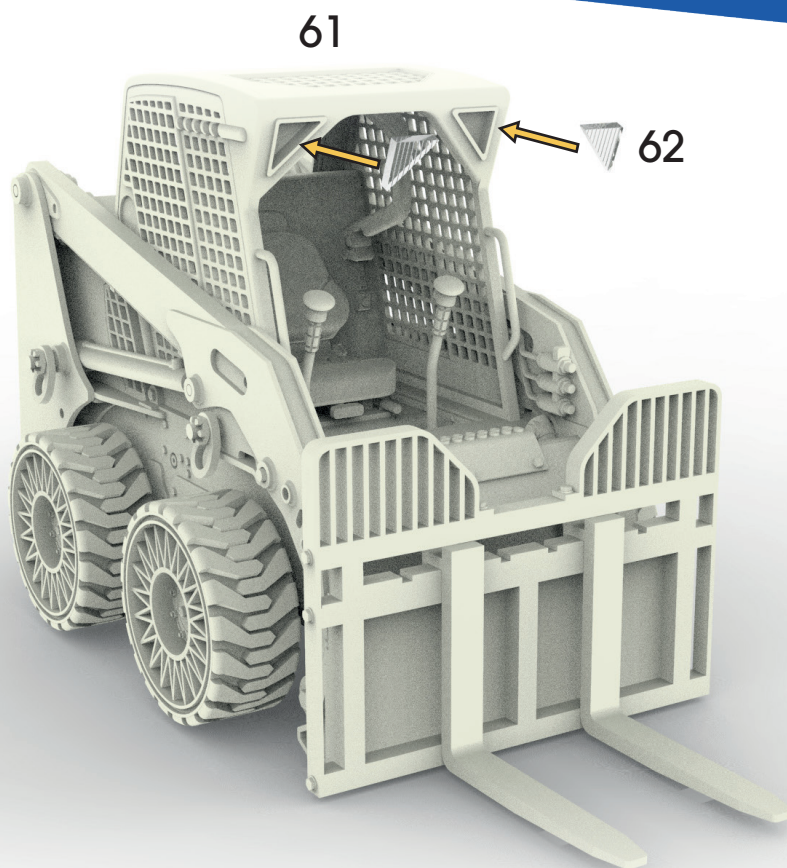
## Step 29



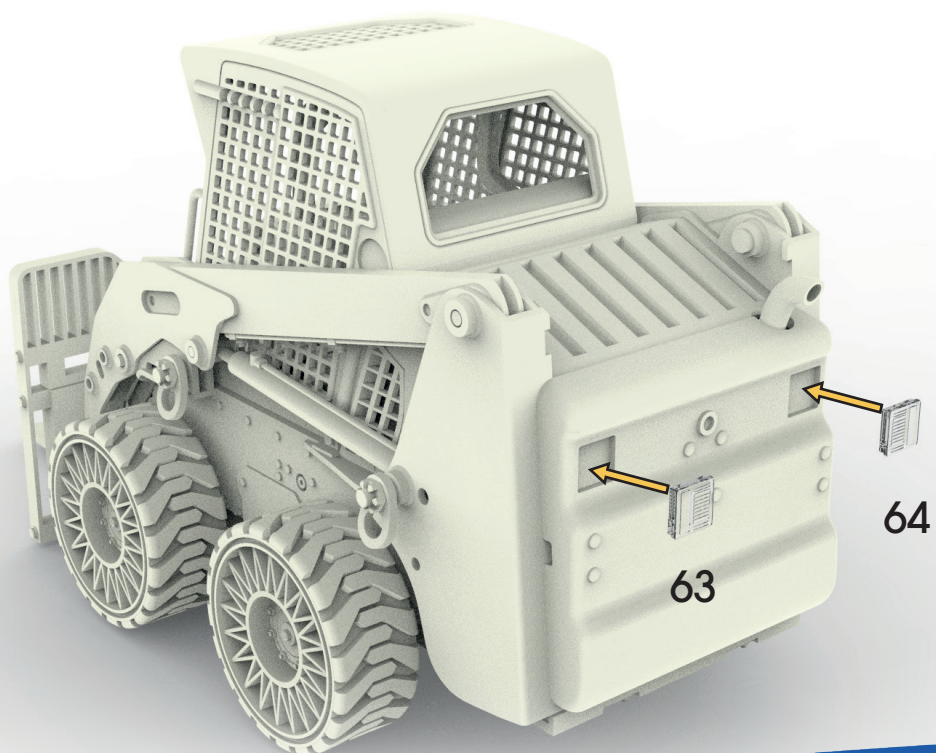
## Step 30



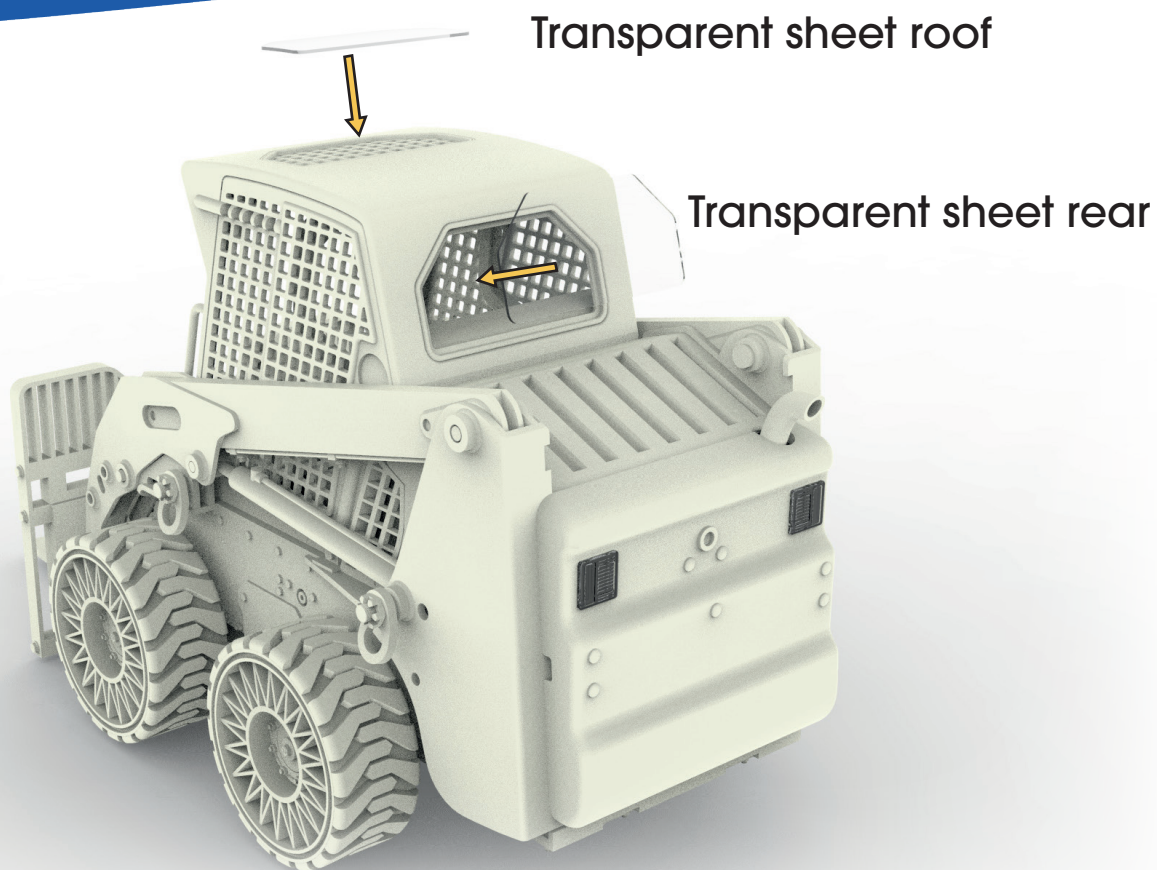
### Step 31



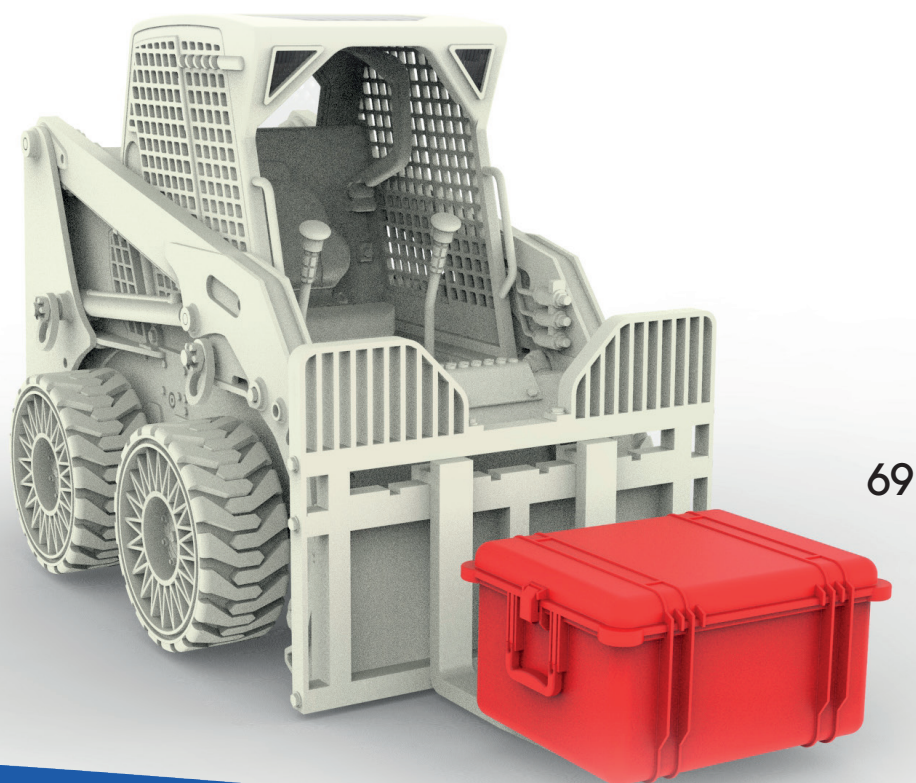
### Step 32



### Step 33



### Step 34



# Decal position

